



2713 Series Self-Tightening Roller Grips

Catalog Number 2713-006

Features

- Rated capacity: 100 N (10 kgf, 22 lbf)
- Elimination of slippage and breakage at the grip
- Ideal for natural rubber latex, elastomers, paper and polymer films
- Fast action for rapid specimen insertion to increase testing throughput
- Small effective test length increases available crosshead travel
- Positive, non-slip gripping action for accurate results
- Self-aligning upper grip prevents off-axis loads for consistent test data
- Mounts to conventional grips or directly to test machine using optional adaptor kit
- Rugged design for minimum maintenance
- Temperature range: Ambient only

Description

The thin film grips, originally designed by Malaysian Rubber Producers' Research Association, are primarily used for the precision testing of elastomeric and other thin flexible materials.

Until now the most common type of grip used were pneumatic or simple wrap-around utilizing the capstan effect. Pneumatic grips using parallel or shaped faces can be made to grip satisfactory but due to the large local pressure build up, especially with very thin film specimens, failure at the grips is very common. Wrap around grips do not usually suffer from this defect but due to the difficulty of obtaining sufficient surface contact slippage occurs.

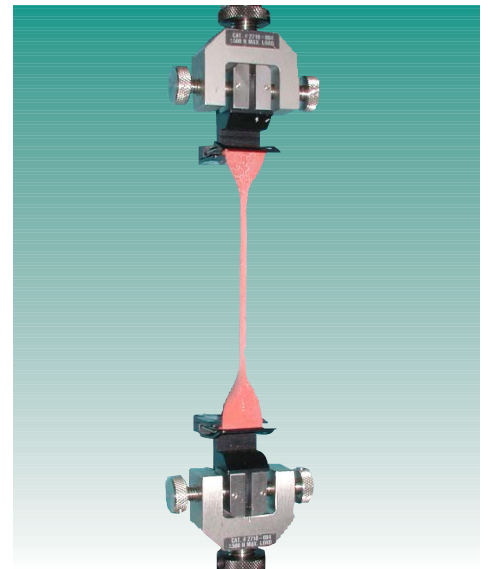
The thin film grips overcome these problems by achieving a 360° wrap-around, which, due to the exponential relationship of the capstan effect, squares the effective gripping friction. This combination of clamping and capstan effect prevents both slip and tearing, whilst still conforming to the requirements of standard test methods.

Principle of Operation

The thin film grip uses a simple 360° over-lapping capstan with clamping grip rods that can be opened or closed by a simple thumb and forefinger action. The combination of clamping and the capstan effect, prevents both slipping and tearing of the specimen, while still conforming to the requirements of standard test methods. The initial clamping action is sufficient to hold the material until a load is applied and the follow up action of the roller during test prevents the specimen from creeping out of the grip as the load increases.

Application Range

- Type of loading: Tension. Not suitable for through zero/ reverse stress or fatigue testing.
- Specimen material: Polymer, films, latex, elastomers, paper and natural rubber.
- Specimen shapes: Flat specimen with or without shoulder tab ends.



▲ Thin film grip for testing natural rubber, latex, elastomers, paper and polymer films



▲ Close-up of specimen clamping

2713 Series Self-Tightening Roller Grips

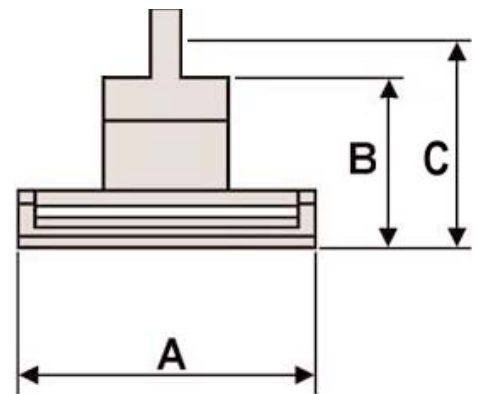
Catalog Number 2713-006

Specifications

| | |
|--|---|
| Catalog Number | 2713-006 |
| Maximum Capacity | 100 N (10 kgf, 22 lbf) |
| MECHANICAL CONNECTION² | |
| Upper Fitting | Tabbed end |
| Lower Fitting | Tabbed end |
| Overall Width (A) | 42 mm (1.6 in) |
| EFFECTIVE LENGTH (B)³ | |
| Upper Grip | 28 mm (1.1 in) |
| Lower Grip | 28 mm (1.1 in) |
| EFFECTIVE LENGTH (C)⁴ | |
| Upper Grip | 40 mm (1.6 in) |
| Lower Grip | 40 mm (1.6 in) |
| Weight per Grip | 49 g (1.7 oz) |
| Temperature Range | Ambient |
| Working Principle | Capstan effect clamping action |
| Gripping Force | Clamping force increases with applied force |
| Maximum Specimen Width | 25 mm (1 in) |
| Maximum Specimen Thickness | 0.2 mm (0.008 in) |

Notes:

- Grip catalog number provides two grips.
- Grips can be mounted directly to standard grips through the tabbed ends. Use 2501-351 to convert tabbed ends to Instron® conventional connections.
- Use this effective length when using with grips.
- Use this effective length when using with 2501-351 adapter.



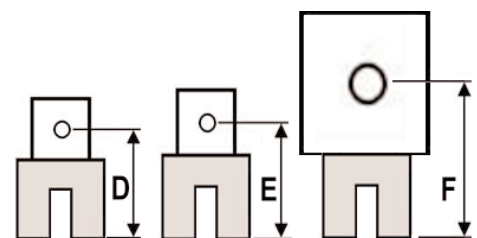
▲ Grip dimensions



▲ Grip dimensions

Accessories

| | |
|----------------------------------|---|
| Catalog Number | 2501-351 |
| Adapter Kit Includes | Two 6 mm clevis pin (Type Om) One 3/16 in clevis pin (Type Bm) One 1/2 in clevis pin adapters |
| EFFECTIVE LENGTHS | |
| 6 mm clevis pin (Type Om) (D) | 25 mm (1 in) |
| 3/16 in clevis pin (Type Bm) (E) | 30 mm (1.2 in) |
| 1/2 in clevis pin (Type Dm) (F) | 45 mm (1.8 in) |
| WEIGHT | |
| 6 mm clevis pin (Type Om) | 74 g (2.6 oz) |
| 3/16 in clevis pin (Type Bm) | 78 g (2.8 oz) |



▲ Grip dimensions



Corporate Headquarters

100 Royall Street, Canton, Massachusetts 02021-1089, USA
Tel: +1 800 564 8378 or +1 781 575 5000 Fax: +1 781 575 5751

Instron Industrial Products

900 Liberty Street, Grove City, PA 16127-9969, USA
Tel: +1 724 458 9610 Fax: +1 724 478 9614

European Headquarters

Coronation Road, High Wycombe, Bucks HP12 3SY, United Kingdom
Tel: +44 1494 464646 Fax: +44 1494 456123

www.instron.com

Instron is a registered trademark of Instron Corporation. Other names, logos, icons, and marks identifying Instron products and services referenced herein are trademarks of Instron Corporation and may not be used without the prior written permission of Instron. Other product and company names listed are trademarks or trade names of their respective companies.

Copyright© Instron 2005. All rights reserved.
All of the specifications shown in this brochure are subject to change without notice.