

W-E404 SERIES TRANSVERSE EXTENSOMETERS

W-E404-C, W-E404-E, W-E404-F

W-E404 Series Transverse Extensometers are designed for measuring transverse displacements. They are self-supporting on the test specimen and will work on any width or diameter specimen from 0 to 25 mm (1 in). They are commonly used for the measurement of Poisson's ratio and transverse strain on anisotropic materials such as composites. They are frequently used simultaneously with axial extensometers. These units easily clip on to the specimen and are held in place with an integral spring. The rounded contact edges help maintain the position on the specimen.

PRINCIPLE OF OPERATION

The specimen displacement is measured at a single point using a high-accuracy, dual flexure strain-gauge sensor designed for strength and improved performance. The design makes these units very durable and they may be left on the specimen through specimen failure.

The extensometers are easy to mount and feature integral springs that hold the unit on the test specimen. An adjustable specimen contact bar below the knife edges provides good mechanical stability for the extensometer body.

FEATURES

- Rugged dual-flexure design for strength and improved performance
- Meets or exceeds ASTM E 83 class B-1 and ISO 9513 class 0.5
- Positive and negative displacements
- Easily replaced knife edges
- Easy to mount, with integral springs to keep the extensometer on the sample
- Suitable for round or flat specimens
- Rugged construction for operation through specimen failure

APPLICATION RANGE

- Static and dynamic tests use up to 5 Hz
- Suitable for tension, compression and cyclic tests on a wide range of materials including metals, composites and plastics



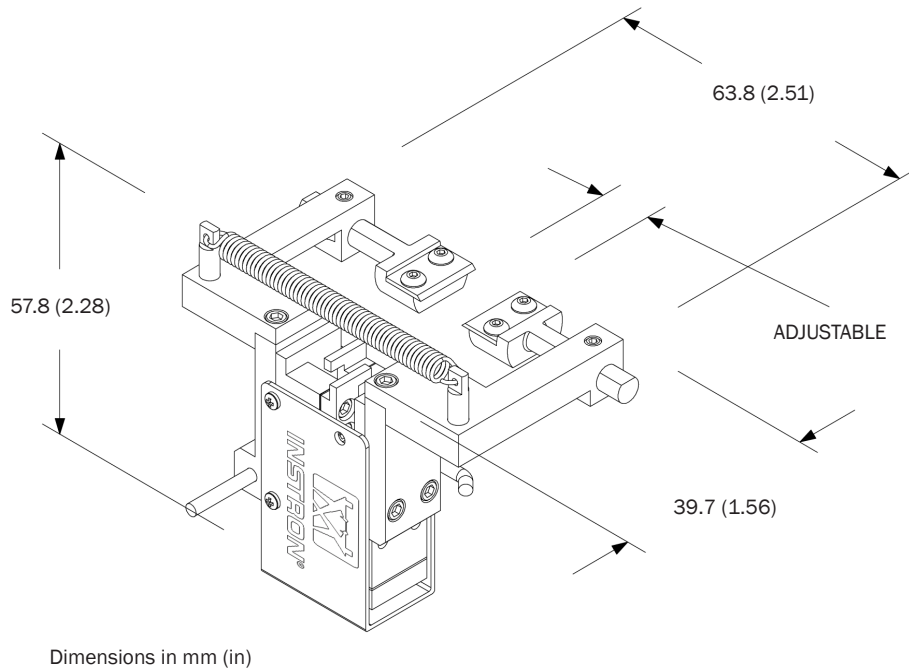
W-E404 Series Transverse Extensometer

SPECIFICATIONS

	W-E404-C	W-E404-E	W-E404-F
Measurement Range	±0.1 in	±0.5 mm	±2.5 mm

GENERAL SPECIFICATIONS

Temperature Range	-40° C to +100° C (-40° F to +212° F)
Specimen Size (Round)	Up to 25 mm (1 in) width or diameter
Cable Length	2.5 m (8 ft)



www.instron.com



Worldwide Headquarters
 825 University Ave, Norwood, MA 02062-2643, USA
 Tel: +1 800 564 8378 or +1 781 575 5000

European Headquarters
 Coronation Road, High Wycombe, Bucks HP12 3SY, UK
 Tel: +44 1494 464646