

BIOCOAT

Liquid-Resistant Cover for Medical Device Testing

Many tests performed on medical devices or biomaterials are performed in vitro. The Instron® BioCoat protects your Single Column Frame by preventing any liquid spills or leaks from going inside the frame. This liquid resistant cover not only protects the system, but also provides a smooth surface that is easy to clean. This additional layer of safety helps protect your investment in a top-quality testing system and will ensure many years of reliable and repeatable test results.

FEATURES

- Provides liquid-resistant protection¹ to water, saline, blood, and blood simulation products for the Instron Single Column Frame
- Polyurethane material for easy cleaning
- Flexible design permits access to all Instron connectors and controls
- Withstands temperatures from ambient to 40 °C
- Compatible with standard Instron fixtures, grips, baths, extensometers, and platens
- Easy installation and removal

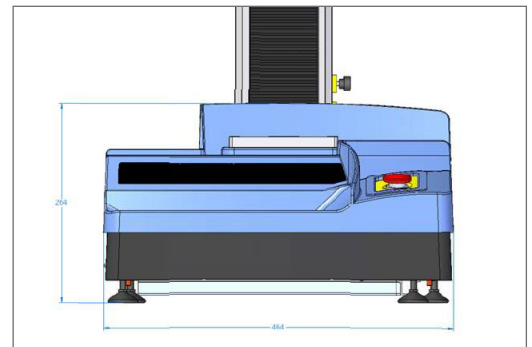
PRINCIPLE OF OPERATION

The BioCoat covers the main test area of the Instron frame where a liquid spill can put the internal electrical components of the system at risk. The base plate provided maintains the frame's original bolt pattern and connections, as well as access to the Emergency Stop button. The modular and lightweight construction of the BioCoat makes the installation an easy operation.

SPECIFICATIONS

| Catalog Number | | 2910-102 | 2910-103 | 2910-104 |
|--|---------|--------------------|----------|----------------------|
| Compatible Frames | | 594X | 334X | 444X, 554X, and 584X |
| Operating Temperature | °C | Ambient to 40 | | |
| | °F | Ambient to 104 | | |
| Hardness | Shore A | 80 | | |
| Dimensions ² (W × D × H) | mm | 464 × 617 × 170 | | |
| | in | 18.27 × 24.3 × 6.7 | | |

1. For other materials, consult the factory
2. Dimensions serve as reference point



Frontal View of the BioCoat (units in millimeters)

www.instron.com