

## Principle of Operation

Suitable for both dynamic and static testing, the 3-Point Bend Fixture easily provides the capability of a 3-point flexure test. The specimen is supported on two lower anvils and the load is applied in the center of the specimen by a single upper anvil. The fixture has a variable span from 10 – 194 mm (0.39 – 7.6 in), allowing for various specimen lengths. Both lower and upper parts are fitted with a flange attachment that are directly compatible with all new ElectroPuls™ test instruments (except the E1000).

## Features

- 10 kN (2248 lbf) capacity
- Support span 10 – 194 mm (0.39 – 7.6 in)
- Wide temperature range of -80 to +350 °C (-112 to +662 °F), when configured with the 3117-080 Pullrod kit
- Compatible with Deflectometer 2810-403 & 2620 or 2630 Series Extensometer

## Application Range

- Bend testing of small components, plastics, wood, and composites
- Specimen shapes: Flat and round
- Suitable for both static & fatigue testing
- Compatible with all new ElectroPuls test instruments (except the E1000)

## Specifications

### 2810-500

Maximum Force Capacity	kN	10
	Lbf	2248
Accessory Width	mm	220
	in	8.66
Upper and Lower Fitting		Flange Mount (To suit 3xM6 or 3xM8 on 75mm PCD)
Support Span	mm	10 - 194
	in	0.69 - 7.6
Temperature Range	°C	-70 to +350
	°F	-94 to +662
Specimen Width	mm	50
	in	1.97
Anvil Diameter	mm	10
	in	0.39



Shown with option 3117-080, Pull rods for use in chamber

## Optional Accessories

4-Point Bend Fixture Conversion Kit (2810-505): Used to convert 2810-500 from a 3-point to a 4-point bend fixture, the 4-point bend conversion kit has a variable span of 10 - 194 mm (0.4-7.6 in) and is suitable for both static and dynamic testing. The test specimen is supported on two lower anvils while the load is evenly applied by two upper anvils.

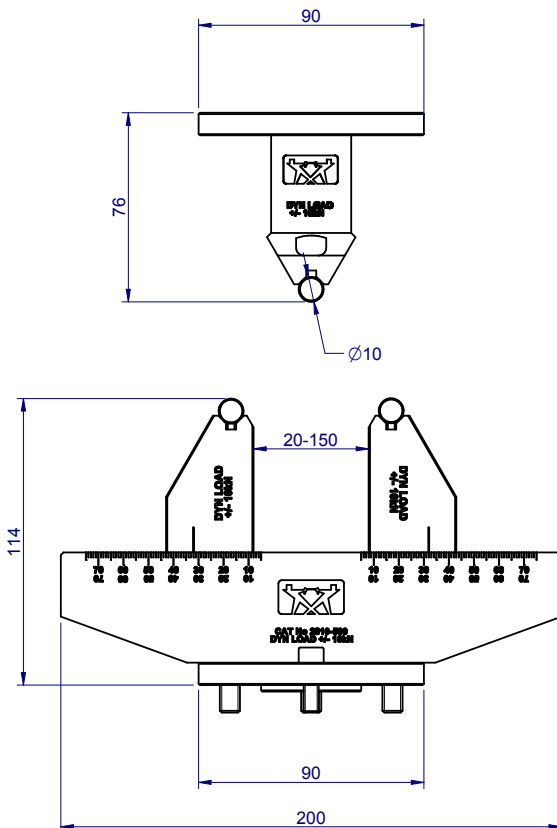
Deflectometers: Used with either a Dynamic or Static Extensometer, it attaches to the lower part of the bend fixture in order to measure the specimen deflection.

## Optional Items for use with 2810-500

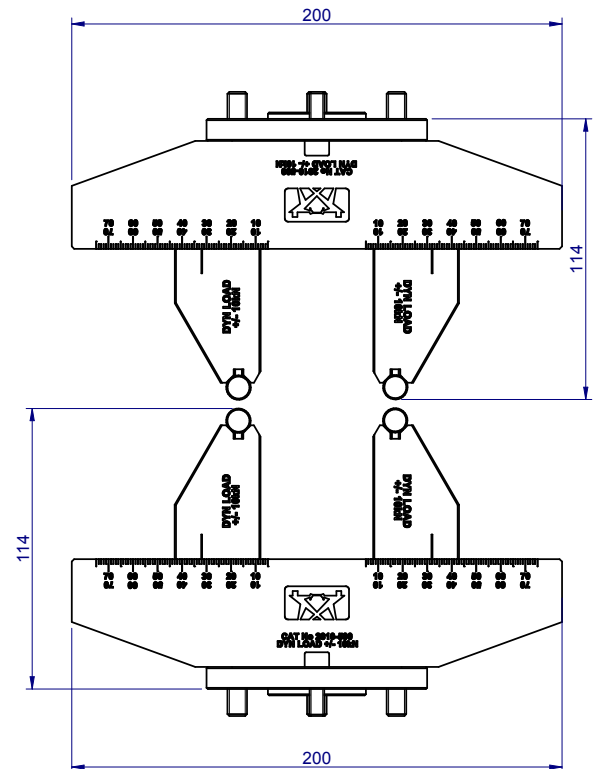
Catalog Number	Description
2810-505	4-Point Bend Conversion Kit
2810-403	Deflectometer
2620 Series Extensometer	Dynamic Extensometer
2630 Series Extensometer	Static Extensometer
3117-080	Pullrod Kit



3-Point Bend Fixture 2810-500



3-Point Bend Fixture (2810-500)



4-Point Bend Fixture (2810-505)

[www.instron.com](http://www.instron.com)



Worldwide Headquarters  
825 University Ave, Norwood, MA 02062-2643, USA  
Tel: +1 800 564 8378 or +1 781 575 5000

European Headquarters  
Coronation Road, High Wycombe, Bucks HP12 3SY, UK  
Tel: +44 1494 464646

Instron Industrial Products  
900 Liberty Street, Grove City, PA 16127, USA  
Tel: +1 724 458 9610