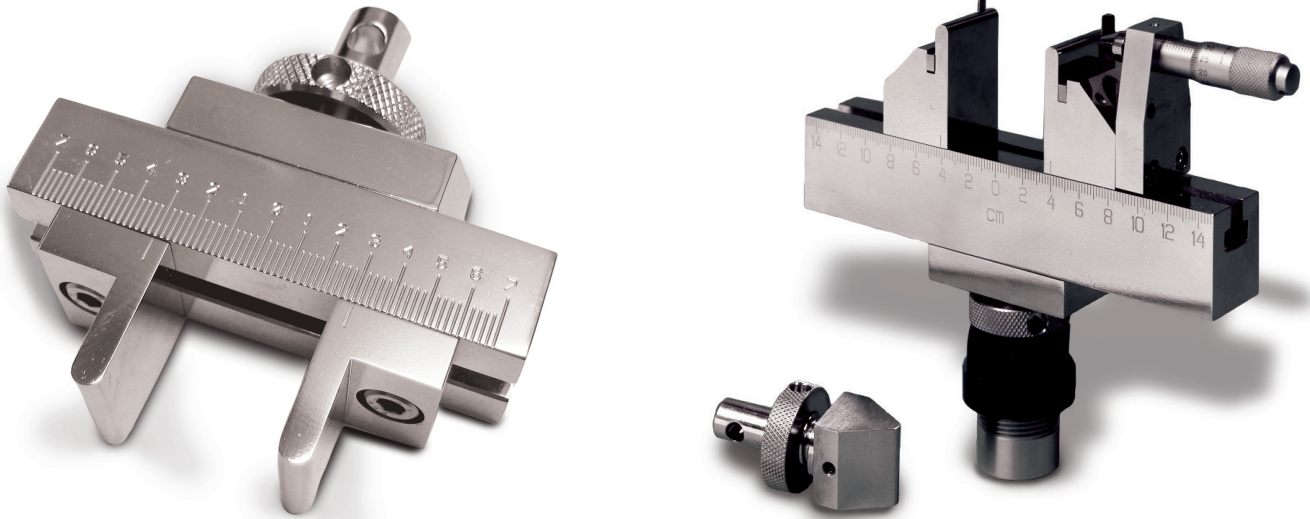


2810 SERIES MINI FLEXURE FIXTURE

Catalog Numbers 2810-412, 413



The mini flexure fixture is constructed from stainless steel. It features a micrometer for adjusting the crack front and adjustable specimen stops for repeatable specimen alignment. An adjustable span 4-point conversion kit is also available. Although designed for tests on microelectronic components, the flexural fixture can be used for a variety of other bend and flexure tests on other materials and components.

PRINCIPLE OF OPERATION

The initial span of the of the bend fixture is easily set and locked into position. Accurate specimen location is assured by the precision micrometer and adjustable specimen stops. The upper anvil applies a bending force to the specimen. The fixture is supplied with a single upper anvil for 3-point operation, but this can be easily replaced with an optional 4-point conversion kit (2810-413).

APPLICATION RANGE

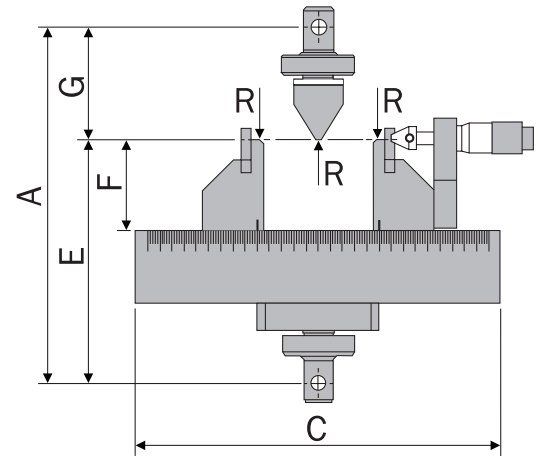
The mini flexure fixture is designed for three-point bend or flexure testing of smaller components and specimens, where the specimen is supported on two lower anvils and the load is applied by a single or optional dual upper anvil. It is also designed for Mode II fracture toughness testing and complies to SEMI Standard G69-0996 at ambient and non-ambient temperatures.

FEATURES AND BENEFITS

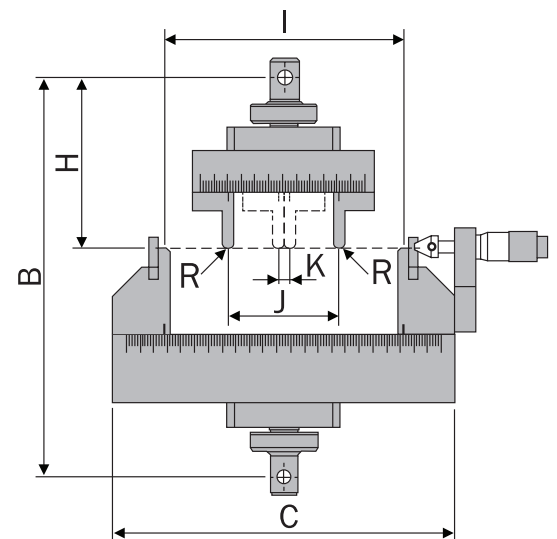
- Accurate Specimen placement with integral micrometer
- Specimen stops for optimum alignment
- Meets SEMI G69-0996
- 2kN (200 kgf, 440 lbf) capacity
- Temperature range: -75 °C to 300 °C (-103 °F to 572 °F)
- Adjustable lower span from 5 mm (0.2 in) to 105 mm (4.13 in)
- 2.5 mm anvil radius
- Optional 4-point bend conversion kit
- Upper and lower mechanical connection: 6 mm clevis pin (Type Om)

SPECIFICATIONS

Catalog Number		2810-412	2810-413
Description		3-point bend	4-point bend
Capacity	kN	2	2
	kgf	200	200
	lbf	440	440
Maximum Specimen Width	mm	25	25
	in	0.98	0.98
Mechanical Connection (Upper)		6 mm clevis pin (Type Om)	6 mm clevis pin (Type Om)
		6 mm clevis pin (Type Om)	6 mm clevis pin (Type Om)
Height (A, B)	mm	146	175
	in	5.75	6.89
Length (C)	mm	150	150
	in	5.91	5.91
Lower Anvil Height (E)	mm	100	100
	in	3.94	3.94
Maximum Test Travel (F)	mm	37.5	37.5
	in	1.48	1.48
Upper Anvil Height (G, H)	mm	46	75
	in	1.81	2.95
Minimum Lower Span (I, 3-point)	mm	5	105
	in	0.19	4.13
Minimum Upper Span (K)	mm	5	5
	in	0.20	0.20
Maximum Upper Span (J)	mm	49	49
	in	1.93	1.93
Anvil Radius (R)	mm	2.5	2.5
	in	0.10	0.10
Anvil Hardness	HRC	44	44
Upper Anvil Assembly	kg	0.13	0.47
	lb	0.28	1.05
Lower Anvil Assembly	kg	1.27	1.27
	lb	2.81	2.81



3-Point Bend Configuration



4-Point Bend Configuration

www.instron.com


Worldwide Headquarters
825 University Ave, Norwood, MA 02062-2643, USA
Tel: +1 800 564 8378 or +1 781 575 5000

European Headquarters
Coronation Road, High Wycombe, Bucks HP12 3SY, UK
Tel: +44 1494 464646