

100 kN High-Temperature Extended Hydraulic Wedge Grips

The Instron® 100 kN Extended Hydraulic Grips, provide reliable gripping and excellent alignment over a wide temperature range on both Servohydraulic and Electromechanical testing systems.

Features

Fully-automatic hydraulic actuation with adjustable gripping force provides consistent results.

- Temperature range: -70 to +350 °C (-100 to +660 °F)
- Symmetrical moving body design provides accurate and repeatable specimen alignment
- Adjustable specimen stops ensures accurate specimen alignment
- When used in conjunction with a suitable system and an AlignPRO Alignment fixture, the grips meets the alignment criteria of Nadcap AC7101 and AC7122
- All hydraulic components are located outside the temperature chamber for reliable and safe operation
- Front loading of flat specimens improves productivity
- Interchangeable jaw faces for flat and cylindrical specimens
- Optional “piggy back” adaptors are available for test fixtures (e.g. compression platens) to be installed on the grips allowing additional tests to be performed without the need to remove and re-install the grips

Principle of Operation

The grips consist of a moving wedge head operated by a hydraulic cylinder via an integrated extender tube.

The grip head has a horizontal opening with tapered sides that move the grip faces toward or away from each other. A pair of side plates hold the faces in place. Four springs attach the jaw faces to the extender bearing surface.

The center of the grip head has a vertical bore that ends at the opening containing the jaw faces. One end of the piston extender passes through the bore, contacting the jaw faces. Depending on the driver's position, the grip head is raised or lowered against the stationary piston extender. Its tapered sides moves the jaw faces together or apart.

The high-temperature hydraulic wedge grips incorporate water cooling to eliminate the possibility of over-heating of the hydraulic system when testing at high temperatures. An anti-rotation pin within the driver prevents rotation of the grip.

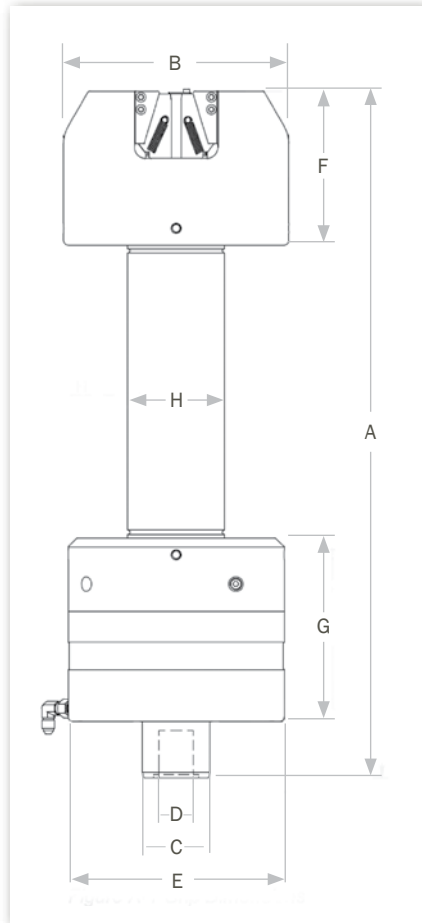
A specimen guide attaches to one of the jaw faces to help center the specimen in the jaws and to provide repeatable specimen positioning for a series of specimens.

To meet the demands of testing to specific alignment criteria, such as Nadcap, the grips are combined with an AlignPro fixture system, which allow operators to measure and adjust the load string alignment.



Specifications

Upper Grip Height A		Various to Suit Machine/ Chambers
Lower Grip Height A	mm in	505
Grip Head B	mm in	200
Piston Diameter C	mm in	60.2
Internal Thread D		M30 x 2
Driver Diameter E	mm in	192
Head Height F	mm in	137
Driver Height G	mm in	163
Extender Height	mm in	86
Upper Grip Weight		Various to Suit Grip Height
Lower Grip Weight	kgs	65



Application Range

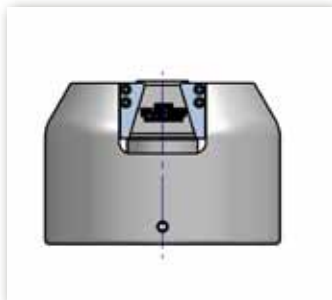
- Static and dynamic tensile tests on a wide range of materials including composites, metals, and plastics.¹
- Range of additional tests possible using optional test fixtures.

Notes:

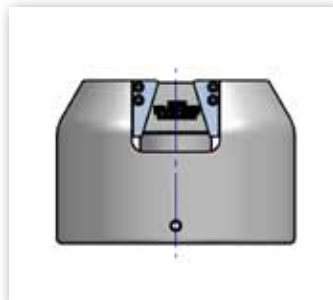
1. Performing compression tests on specimens clamped directly in extended grips is not recommended due to the relatively low lateral stiffness of the arrangement due to the length of the extenders. Compression testing using guided test fixtures is possible.

Wedge Adapters

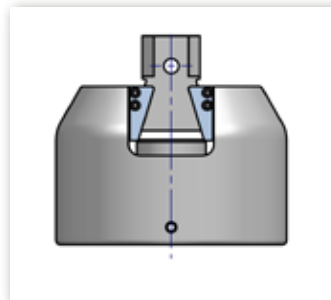
	Fitting	Static Load Capacity	Dynamic Load Capacity	Temperature Range
CP108548	M30 LH, Low Profile	130 kN	100 kN	-70 to +350 °C (-100 to +660 °F)
CP109439	Accessories Placed directly on Top Face of the Lower Grip	130 kN	100 kN	-70 to +350 °C (-100 to +660 °F)
CP108545	Df (1.25 in Connection with 1/2 in Clevis Pin)	100 kN		-70 to +350 °C (-100 to +660 °F)
CP110256	Df (1.25 in Connection with 1/2 in Clevis Pin), Low Profile	100 kN		-70 to +350 °C (-100 to +660 °F)



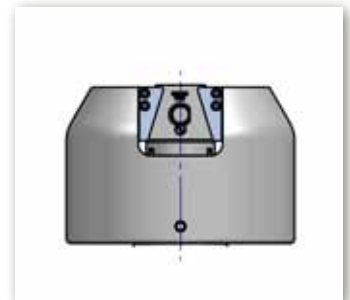
CP108548 Wedge Adapter M30 LH - Low Profile



CP109439 Wedge Adapter Allows Accessories to be Place Directly on Top Face of the Lower Grip.



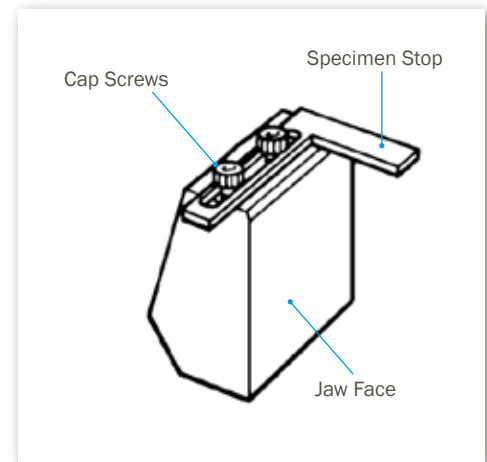
CP108545 Wedge Adapter Df



CP110256

Jaw Faces

		Specimen Thickness	Specimen Diameter	Clamping Area (WxH)	Surface
2704-521	mm	0 to 7.8		50 x 57	Flat Serrated
	in	0 to 0.31		2 x 2.25	
2704-522	mm	7.1 to 15.7		50 x 57	Flat Serrated
	in	0.28 to 0.62		2 x 2.25	
2704-523	mm		6.1 to 11.9	50 x 57	V-Serrated
	in		0.24 to 0.47	2 x 2.25	
2704-524	mm		9.9 to 16.0	50 x 57	V-Serrated
	in		0.39 to 0.63	2 x 2.25	
2704-525	mm	0 to 7.8		50 x 57	Flat Carbide-Coated, Surfalloy
	in	0 to 0.31		2 x 2.25	
2704-526	mm	7.1 to 15.7		50 x 57	Flat Carbide-Coated, Surfalloy
	in	0.28 to 0.62		2 x 2.25	



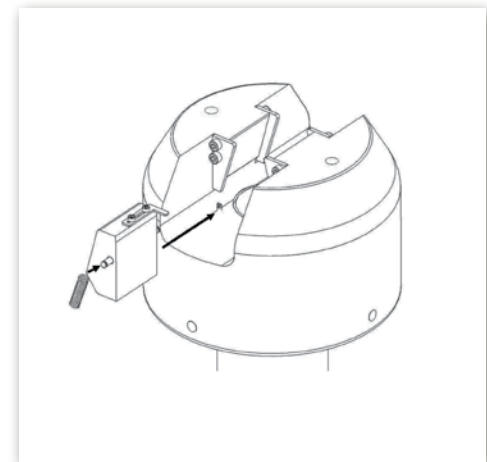
L-Shaped Specimen Guide

Power Packs

- Stand-Alone Grip Controller and Hydraulic Power Supply- 207 Bar (3000 psi), Dual acting/Dual stage
- The self-contained unit provides opening and closing control of hydraulic grips with adjustable gripping pressure and handset controls
- Dual acting provides pressure to close and to open the grips
- Dual stage provides High flow/Low pressure and Low flow/High pressure clamping
- Includes hoses for connection to the grips and casters for easy relocation

Dimensions:

- 360mm X 560mm X 1100mm (W x D x H)
- Select appropriate voltage (120,240, or 220 VAC)
- Optional replenish available (advisable for test durations over 24 minutes)



Grip Jaw Face Installation



Hydraulic Power Supply

www.instron.com



Worldwide Headquarters
825 University Ave, Norwood, MA 02062-2643, USA
Tel: +1 800 564 8378 or +1 781 575 5000

European Headquarters
Coronation Road, High Wycombe, Bucks HP12 3SY, UK
Tel: +44 1494 464646

Instron Industrial Products
900 Liberty Street, Grove City, PA 16127, USA
Tel: +1 724 458 9610

Instron is a registered trademark of Illinois Tool Works Inc. (ITW). Other names, logos, icons and marks identifying Instron products and services referenced herein are trademarks of ITW and may not be used without the prior written permission of ITW. Other product and company names listed are trademarks or trade names of their respective companies. Copyright © 2012 Illinois Tool Works Inc. All rights reserved. All of the specifications shown in this document are subject to change without notice.