

# HIGH FORCE FATIGUE TEST SYSTEM

BI-7030

The Bi-7030 High Force Fatigue Testing Machines are servo-hydraulic solutions built for testing materials or components at large forces using a four column high stiffness loadframe and a spacious T-slot bed. They are typically used for static and fatigue testing of metals, wire ropes, rebars, rails, concrete and aerospace components

## FEATURES

- Force Rating 600, 1000, 2000 and 3000kN
- Actuator stroke 150 mm with 0.1 resolution
- Mechanical/hydraulic/pneumatic anti vibration pads
- Rated up to 30Hz cyclic operations
- Choice of hydraulic configuration and dynamic performance to suit application
- Adjustable upper crosshead with hydraulic lifts and locks for easy adjustment of daylight
- Compatible with a large range of grips, fixtures, and other accessories
- Touch screen/Operator control panel for basic machine operation viz., hydraulics on/off, low/high pressure, E-stop, actuator jogging up/down slow/fast, cross head height adjustment & lock/unlock, hydraulic grips operation etc.
- Intelli mount feature to protect the sample during test set-up. System works in stroke control mode to adjust the actuator to maintain load within a window specified by user at the time of specimen loading.

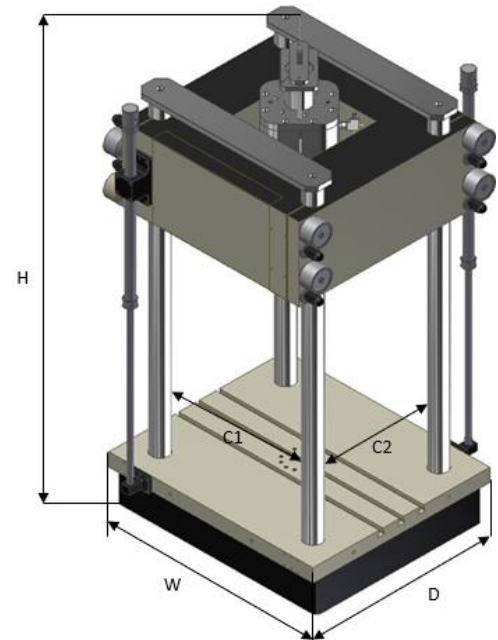
## APPLICATIONS

- Tension/Compression
- Ductile and Brittle Fracture
- Fatigue crack propagation
- High-Cycle Fatigue (HCF)
- Elastomer properties
- Flexural strength tests



## SPECIFICATIONS

Model		BI-7031	BI-7032	BI-7033	BI-7034	BI-7035	BI-7036	BI-7037
Dynamic Load Capacity	kN	500	600	1000	1500	2000	3000	6000
Total Actuator Stroke	mm	200						
No. of Columns		4						
Actuator Position		On Top Crosshead						
Frame Stiffness	MN /m	2500	2500	4000		8000	10000	
Loadcell Accuracy		±0.5% of reading as per ISO 7500-1			±1% of reading as per ISO 7500-1			
*Cycling Frequency	Hz	0-35						
Column Clearance, C1/C2	mm	800/1000						
*Daylight Opening	mm			1200				
Electric Supply		380/400/415 VAC, 3 Ph, 50/60 Hz						
System Dimensions H x W x D	mm	3100 x 1000 x 1065	2800 x 1300 x 1500		4100 x 1500 x 2000	5500 x 1500 x 2000		
Max. Frame Weight	kg		7500			10300	14000	



\*Maximum Between Load Cell and Actuator at zero position

## NOTE

Please refer to individual brochures for information on the selected power packs & accessories.  
 Optional vertical & horizontal daylight openings are available up to 2500mm and 800mm respectively  
 Custom configurations available  
 CE certification on Demand  
 Specifications are subject to change without prior notice

[www.instron.com](http://www.instron.com)



Worldwide Headquarters  
 825 university Ave, Norwood MA 02062 - 2643, USA  
 Tel: +1 800 564 8378 or +1 781 575 5000

India Headquarters  
 #497 E, 14<sup>th</sup> Cross, 4<sup>th</sup> Phase, Peenya Industrial Area,  
 Bangalore - 560058, India.  
 Tel: +91 80 283 60184 Fax: +91 80 283 60047

Instron is a registered trademark of Illinois Tool Works Inc. (ITW). Other names, logos, icons and marks identifying Instron products and services referenced herein are trademarks of ITW and may not be used without the prior written permission of ITW. Other product and company names listed are trademarks or trade names of their respective companies. Copyright © 2016 Illinois Tool Works Inc. All rights reserved. All of the specifications shown in this document are subject to change without notice.

High Force Fatigue Test System\_V1