

SERVO ELECTRIC TEST SYSTEM

BI-7040

BI-7040 Servo-Electric Test Systems feature high-stiffness, precision-aligned, free annular load frames. The basic system consists of horizontal load frame, servo-electric actuator, force transducer, servo controller and safety interlocks. Wide range of accessories such as grips, displacement transducers, corrosion bath is available. The controller provides required control on stroke, load and strain. These units are designed to suit for Monotonic, Creep, Stress relaxation, Quasi-static tests etc.

FEATURES

- Fully self-reacting load frames, no need for foundation
- Suitable for high temperature applications up to 1000^o C
- Mechanical / Hydraulic / pneumatic anti vibration pads
- Low friction and wear resistance actuators
- Encoder based displacement measurements
- Virtually noiseless
- Servo controlled force and displacement
- Green and energy efficient system with in-built UPS for continuous operation
- Zero backlash design
- Speed range 1 μ m/min to 300mm/min
- Runs on single phase power supply, just plug and play
- 32-bit data acquisition
- 40-bit servo-loop calculations
- Data acquisition rates up to 6 kHz
- Digital servo loop update rates up to 6 kHz
- User friendly application software
- Operator control panel for basic operations of the machine such as, Enable, E-Stop, Actuator Jog Up/Down slow/fast, machine status etc.

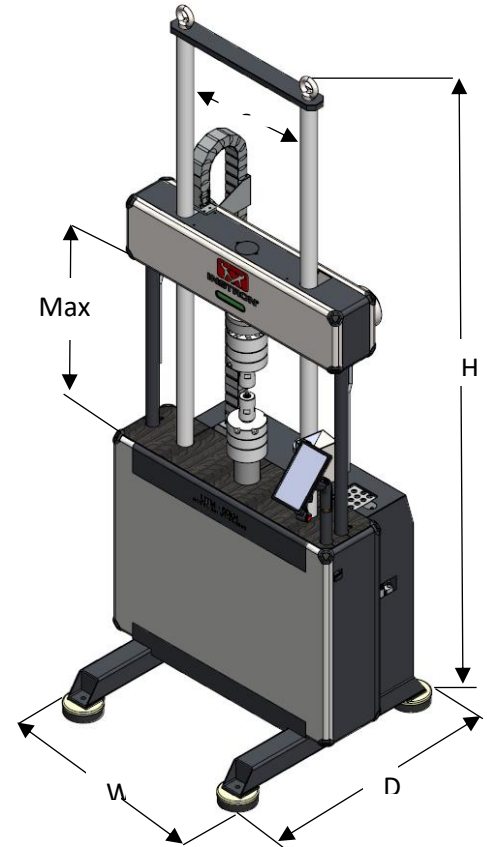
APPLICATIONS

- Tensile, compression, flexure, shear, peel tests
- Low cycle fatigue testing
- Thermo-mechanical fatigue studies
- Creep, creep crack growth, creep fatigue interaction
- Corrosion fatigue and corrosion crack growth
- Stress relaxation
- Strength and characterization of metals
- Room temperature, Low & high temperature tests
- Tests subjected to environmental conditions
- Testing of metals, wood, ceramics, intermetallic, composites, etc



SPECIFICATIONS

		BI-7041	BI-7042	BI-7043	BI-7044	BI-7045
Dynamic Load Capacity	kN	10	25	50	100	200
No. of Columns		2				
Actuator Total Stroke	mm	Up to 200				
Frame Stiffness	kN/m m	600				
Loadcell Accuracy		+/-0.5% down to 1/500 th of loadcell capacity				
Speed range	mm/ min	0.000001 to 300				
Column Clearance	mm	600				
*Daylight Opening	mm	Max 1500 and min 530				
System Dimensions H x W x D	mm	3200 x 1150 x 1100				3350 x 1260 x 1500
Max. Frame Weight	kg	900	1000		2200	



NOTE

Please refer to individual brochures for information on the selected power packs & accessories.
 Ask for Horizontal loadframe configurations as well
 Custom configurations available
 CE certification on Demand
 Specifications are subject to change without prior notice

www.instron.com



Worldwide Headquarters
 825 university Ave, Norwood MA 02062 - 2643, USA
 Tel: +1 800 564 8378 or +1 781 575 5000

India Headquarters
 #497 E, 14th Cross, 4th Phase, Peenya Industrial Area,
 Bangalore - 560058, India.
 Tel: +91 80 283 60184 Fax: +91 80 283 60047

Instron is a registered trademark of Illinois Tool Works Inc. (ITW). Other names, logos, icons and marks identifying Instron products and services referenced herein are trademarks of ITW and may not be used without the prior written permission of ITW. Other product and company names listed are trademarks or trade names of their respective companies. Copyright © 2016 Illinois Tool Works Inc. All rights reserved. All of the specifications shown in this document are subject to change without notice.

Servo Electric Test System_V1