

# ELECTROPULS® BIOMEDICAL FLUID BATH 5 LITRE

2014-001

The ElectroPuls Fluid Bath is the ideal solution for a wide variety of biomedical testing applications in a saline solution or distilled water. When used in conjunction with the Temperature-Controlled Fluid Re-circulator (CP106108), the fluid temperature can be regulated simulating a body temperature of 37°C (98.6°F) for in vivo conditions.

The cylindrical, transparent design gives good visibility of the submerged specimen from all sides. Also included is a lid to minimize evaporation during longer term fatigue tests with a vent hose to connect to a drain and an additional tray to prevent spillage of fluid.

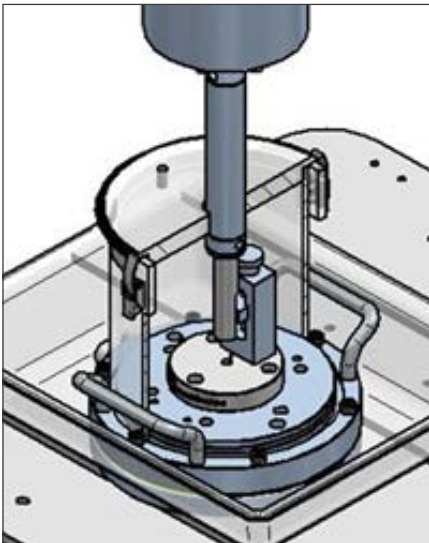
## FEATURES

- For distilled water or saline solution only
- Accurate closed-loop control of bath temperature at  $+37^{\circ}\text{C} \pm 1^{\circ}\text{C}$  available with the temperature recirculator via Type K thermocouple
- Designed to be used with ElectroPuls E1000, E3000, E10000, E20000 and 8872 or 8874 machines
- Lid reduces evaporation during prolonged testing
- Vent hose provides easy drainage

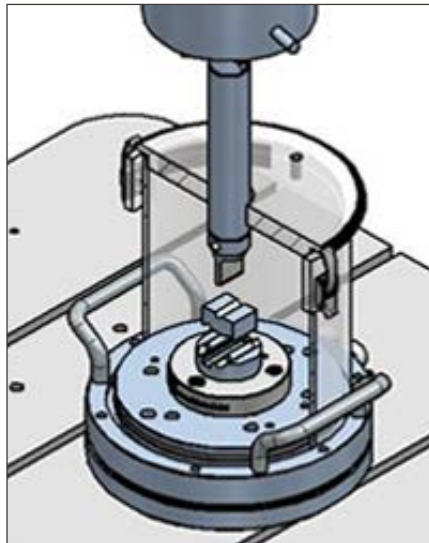


## COMMON TEST APPLICATIONS

CP110281 - Fixtures for Testing Small Animal Bones



Femur Loading Fixture



Bone 3 Point Bend Fixture

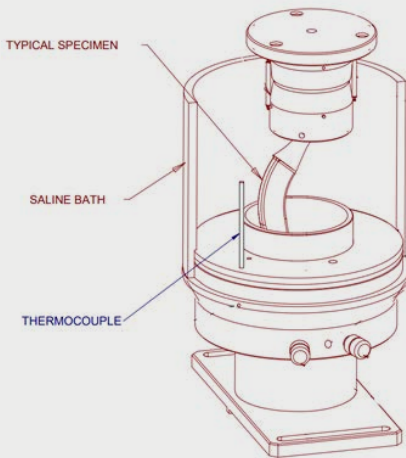


Wet Bone Compression Fixture

Set of fixtures for testing small animal bones (rat) in a variety of different test modes, including compression, loading and flexure.

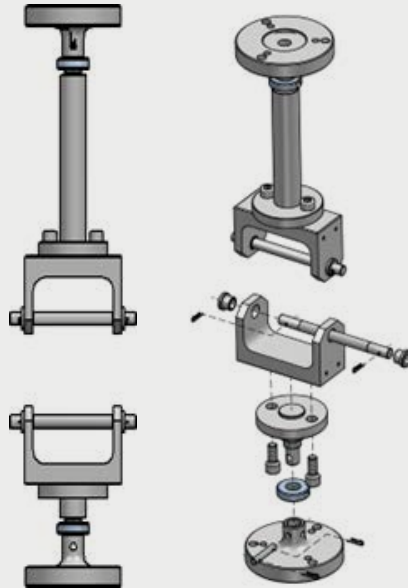
## COMMON TEST APPLICATIONS

### CP106632 Hip Femoral Fatigue System ISO 7206



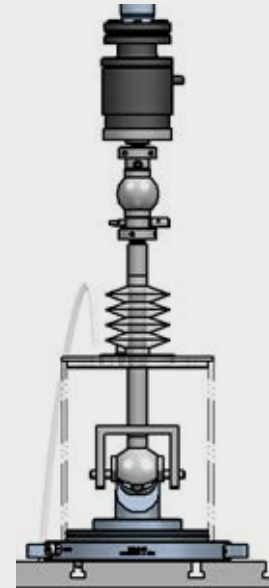
Femoral fatigue fixture system designed to meet most test criteria for femoral stem components of hip replacement implants

### 2014-003 Spinal Implant Fixture ASTM F1717



Spinal implant fixture to enable full testing to all sections of ASTM F1717

### CP102685 Intervertebral Body Fusion Fixture ASTM F2077, ASTM F2346



Intervertebral body fusion fixtures

## SPECIFICATIONS

### Bund Tray Dimensions

Length	mm	356
Width	mm	450
Height	mm	133

### Bund Tray Mounting

Mounts directly to base/table of ElectroPuls E1000, E3000, E10000, E20000 and 8872 or 8874 machines

Separate mounting plate & seal to saline bath for various test fixtures

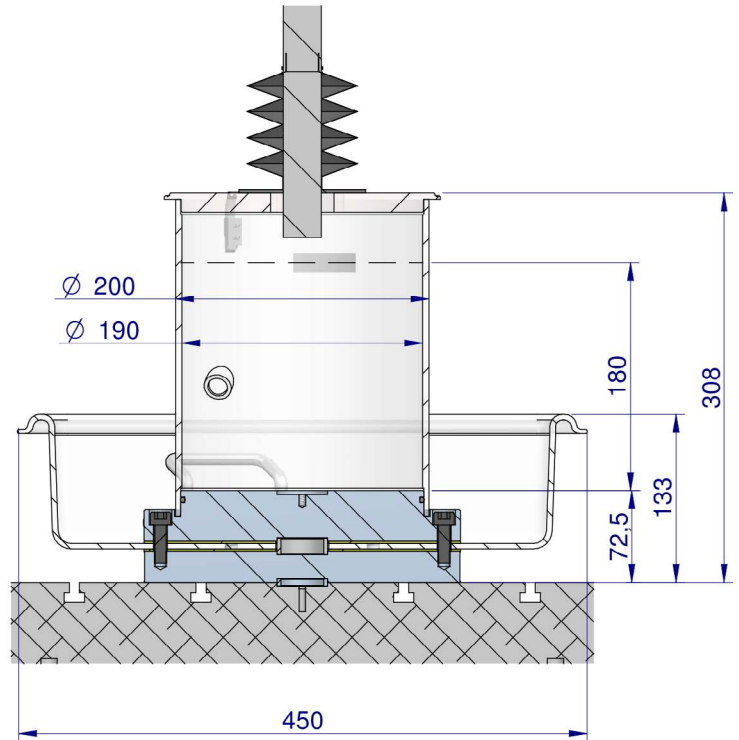
Bellows at top of bath allow mounting to actuator

### Bath Dimensions

Diameter OD	mm	200
Diameter ID	mm	190
Height	mm	308

### Lid Vent Dimensions

Tube supplied with bath has 16mm ID (1/2" BSPT) and needs to go to a suitable customer-supplied container



[www.instron.com](http://www.instron.com)



Worldwide Headquarters  
825 University Ave, Norwood, MA 02062-2643, USA  
Tel: +1 800 564 8378 or +1 781 575 5000

European Headquarters  
Coronation Road, High Wycombe, Bucks HP12 3SY, UK  
Tel: +44 1494 464646